



DUX DYNAMIC
HEADBOARD 120



ASSEMBLY INSTRUCTIONS

DUX, DUXIANA and DUX Pascal-systems are registered
trademark owed by Dux Design AB 2012.
Printed 2021.02.01

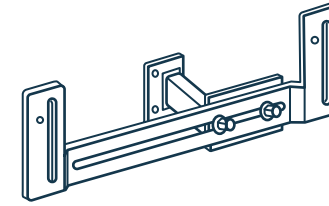
dux.com



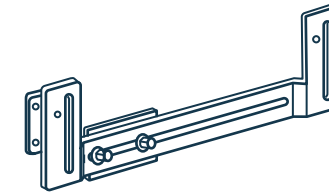
HARDWARE



×4 Bolts



×1 U-shaped fitting – left



×1 U-shaped fitting – right

TOOLS NEEDED



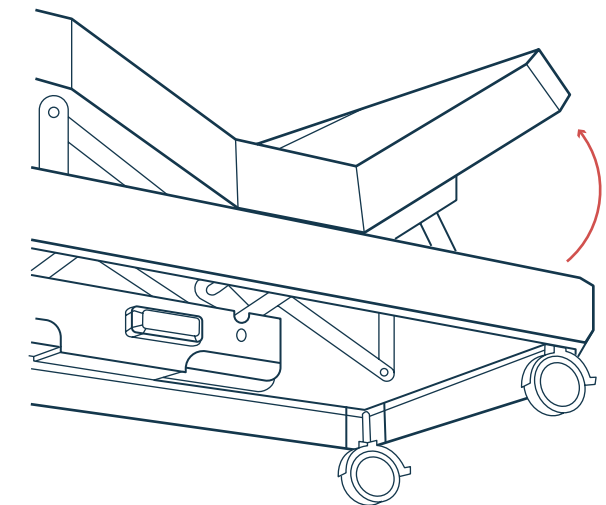
Allen key
(not included)

Spanner 13mm or
adjustable wrench
(not included)

ASSEMBLING

I. RAISE THE HEAD-END

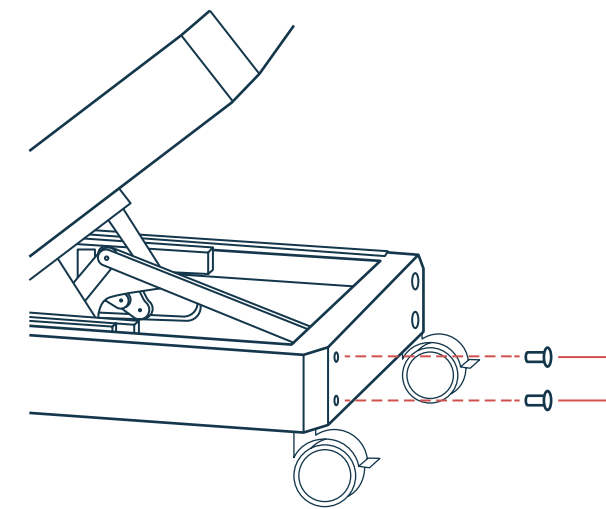
Raise the head-end to the maximum height.



II. REMOVE SCREWS

Remove the two hexagonal socket-head screws in one corner.

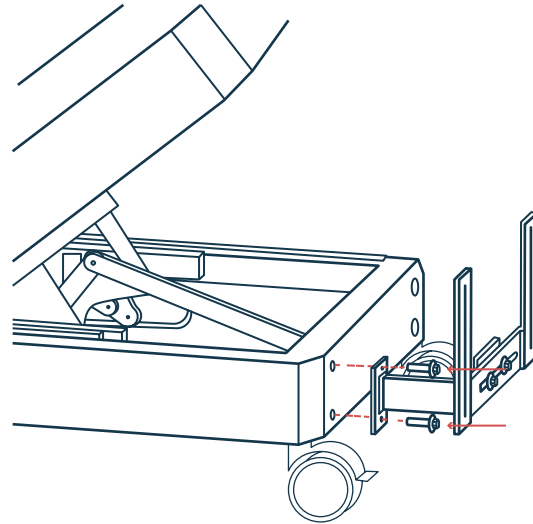
Remove two pair of screws and mount the fitting at a time. If you remove all screws at the same time the panel will come off.



III. MOUNT THE U-SHAPED FITTING

Using the new bolts supplied
fasten one U-shaped fitting as shown.

Repeat these steps on
the other side of the bed.



IV. MOUNT THE HEADBOARD

Mount the headboard to the profiles
and tighten. Be sure to tighten all screws
including those on the fittings.

